



## Custom Design Steel Track Undercarriage

We are the manufacturer of track undercarriage from China. Based on years' experience and professional engineering team, we can offer custom design steel track undercarriage for different applications, such as drilling machines (core drill, horizontal directional drilling rig, belt engineering drill, and engineering rig), engineering machines, mining, colliery, agricultural and gardening machines.

Since the establishment of Bonny, we keep the whole world in view and blaze steadily new trails. By now, we have developed various Custom Built steel Tracked Undercarriage and the load capacity is from 0.5 ton to 80 ton. Meanwhile, we have a lot of experience engineers who can provide you technical support and technical consultancy to meet your needs.



### Product Description

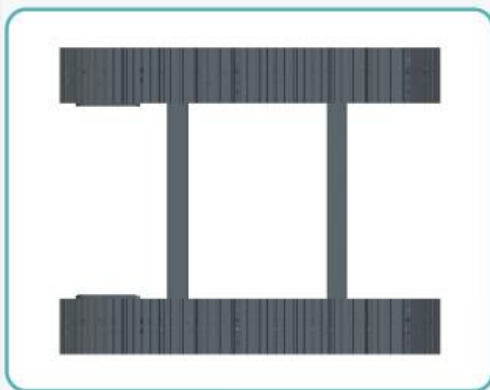
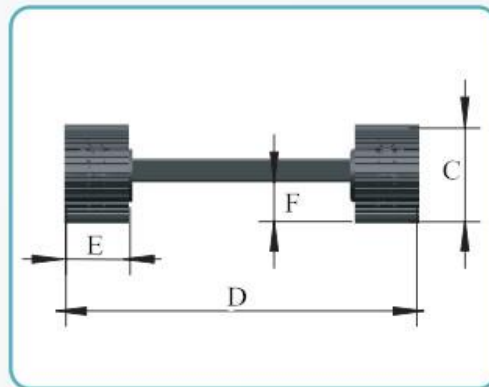
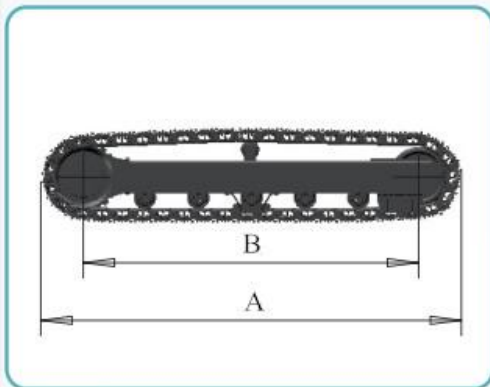
#### Features of Custom Built Steel Track Undercarriage

1. Adopt steel tracks or .steel tracks and block rubber.
2. The track motor can be fixed displacement or variable displacement concealed planetary gearbox and hydraulic motor, such as Nabtesco (Japan), Brevini (Italia). If you need, we can also provide track motor made by our own factory.
3. The beam is made of Q345B with high loading capacity.
4. It can also be designed and manufactured on customers' request.
5. It is widely applied in all kinds of large drilling rig, excavator, paver, Aerial Working Platform and construction engineering machines.

#### Technical parameters of Custom Design Steel Track Undercarriage

MODEL	Dinamic capacity	Static capacity	Weight kg.	Press. Bar	oil flow L/min	Torque Nm to engine	Grad.	Speed km/h
-------	------------------	-----------------	------------	------------	----------------	---------------------	-------	------------

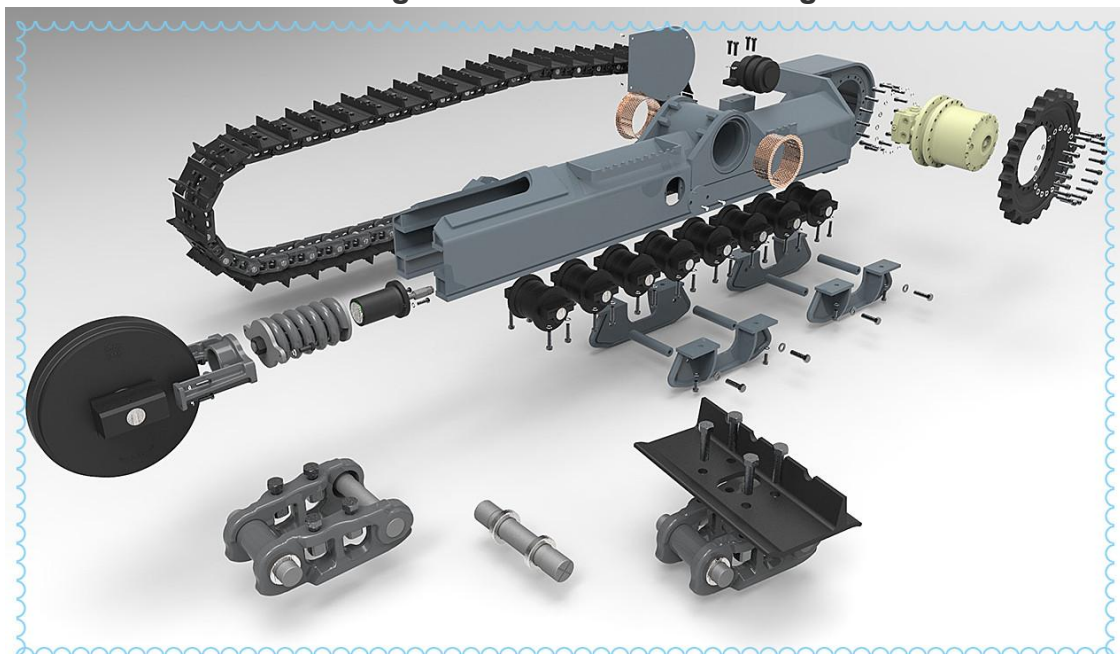
ST-3500	3500	4000	750	220	35	4723	65%	2/3.2
ST-6000	6000	7000	1350	220	55	8330	65%	2/3.7
ST-8000	8000	9500	1830	300	82	11700	65%	2.8/4.7
ST-10000	10000	11300	2350	350	100	14800	65%	3/5.1
ST-12000	12000	15000	2950	350	124	22500	65%	2.9/4.9
ST--15000	15000	18000	3300	350	140	24000	65%	3.2/5.5
ST-20000	20000	25000	4300	350	220	38000	65%	3.5/5.4
ST-30000	30000	37000	6500	330	260	59000	65%	2.5/4.6
ST-40000	40000	48000	7100	350	290	72800	65%	2.3/4.3



MODEL	A Length	B Center	C Height	D Total	E Width of	F Height of	No. of
-------	-------------	-------------	-------------	------------	---------------	----------------	-----------

		Distance		Width	track shoe	Cross beam	roller
ST-3500	2030	1500	485	1800	300	225	4+4
ST-6000	2467	1950	549	1700	300-400	240	5+5
ST-8000	2783	2265	548	1800	400-450	255	8+8
ST-10000	3800	3200	600	1700	400-500	280	9+9
ST-12000	3282	2575	720	2000	400-600	345	9+9
ST-15000	3666	2923	753	2000	500-800	360	8+8
ST-20000	4065	3323	786		500-800	375	8+8
ST-30000	4530	3730	836		500-800	405	9+9
ST-40000	4888	4090	880		500-800	420	10+10

### Structure of Custom Design Steel Track Undercarriage



Type of Custom Design Steel Track Undercarriage for selection:

- A. Steel track undercarriage;
- B. Rubber track undercarriage;
- C. Steel track undercarriage with rubber pads



### Application of Custom Design Steel Track Undercarriage

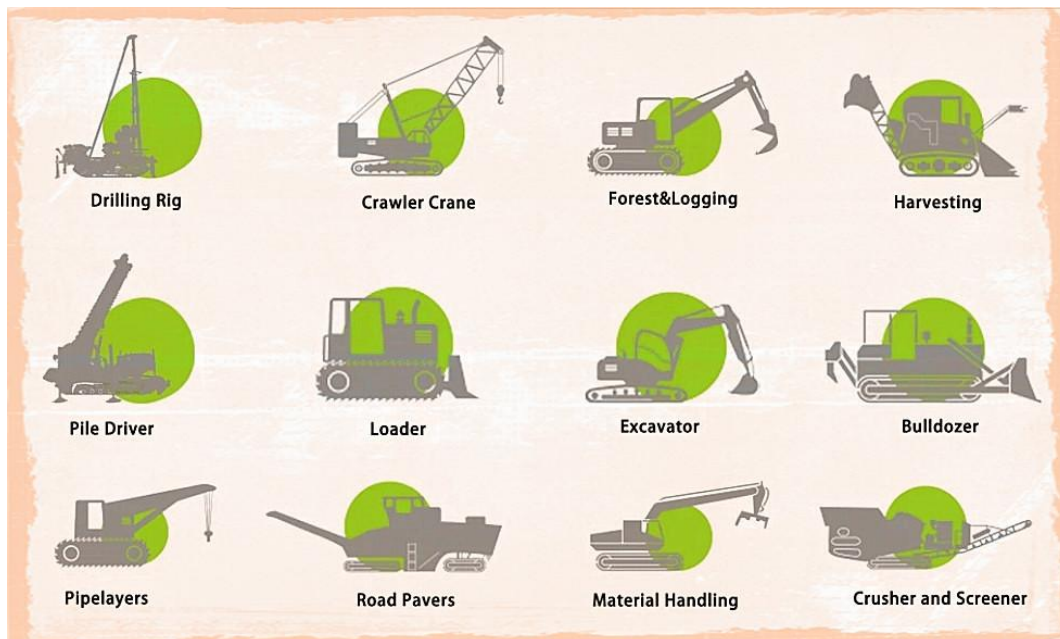
Drilling machine: Anchor drilling rig, water well drilling rig, core drilling rig, Jet drilling rig, down-hole drilling rig, hydraulic crawler drilling rig, for poling rig, multipurpose drilling rig, no-dig drilling rig, etc.

Construction machinery machine: mini excavator, mini pilling machine, Aerial work platform, Small transport loading equipment, etc.

Coaling machine: slag-raking machine, tunnel drilling rig, hydraulic drilling machine, rock loader, etc

Mining machine: mobile crusher, heading machine, conveying equipment, etc.

Agriculture machine: Sugar cane harvester, lawn mower, compost turner, ditching machine, etc



### Package of Custom Design Steel Track Undercarriage



1.Wrap the undercarriage with wrapping film



2.Then equip it with the steel pallet

### Strict Quality Control

